

**This electronic collection of documents is provided
for the convenience of the user
and is Not a Certified Document –**

**The documents contained herein were originally issued
and sealed by the individuals whose names and license
numbers appear on each page, on the dates appearing
with their signature on that page.**

**This file or an individual page
shall not be considered a certified document.**

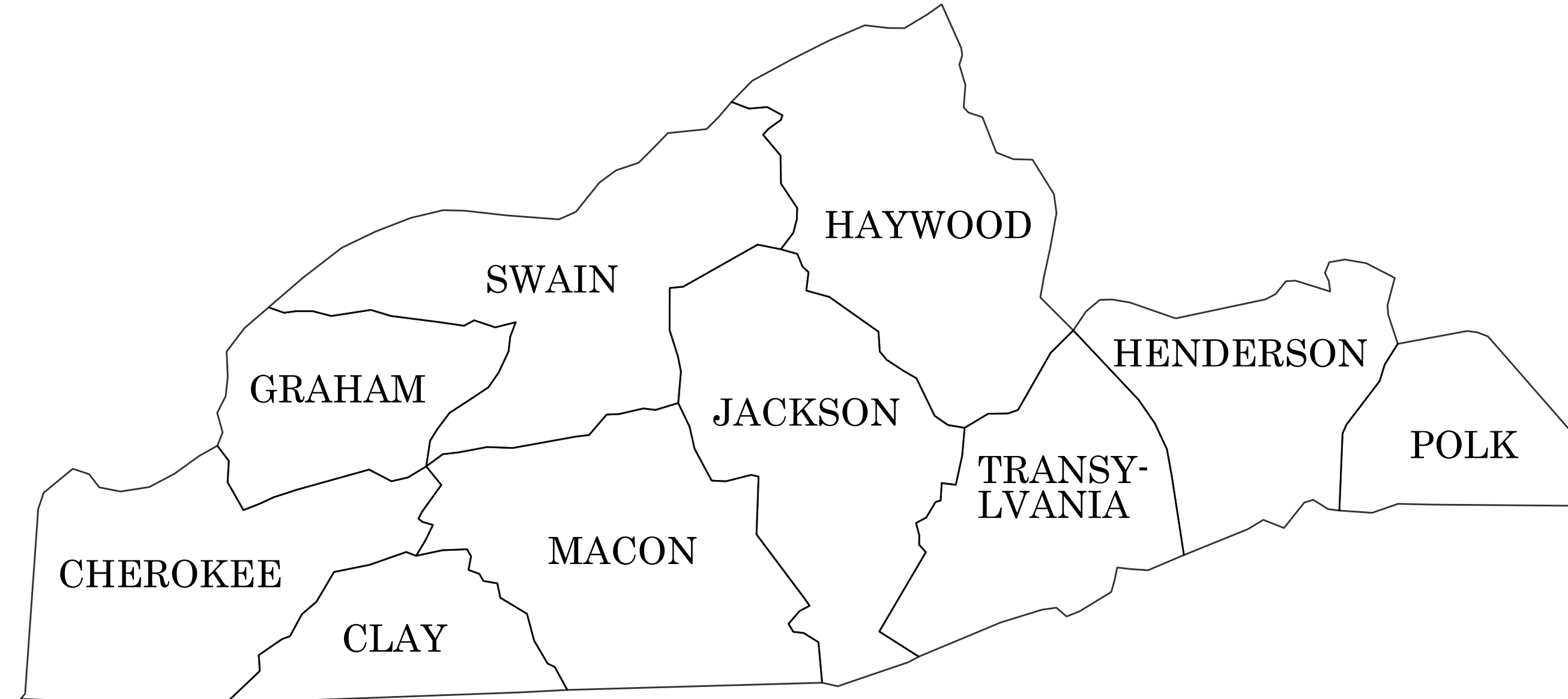
STATE OF NORTH CAROLINA DIVISION OF HIGHWAYS

DIVISION 14

LOCATION: *VARIOUS LOCATIONS
ACROSS DIVISION 14*

TYPE OF WORK: *IDIQ ON-CALL SNOW-PLOWABLE
MARKERS*

STATE	STATE PROJECT REFERENCE NO.	SHEET NO.	TOTAL SHEETS
N.C.	DN12179560	1	4
STATE PROJ. NO.	F. A. PROJ. NO.	DESCRIPTION	
14.102012	TBD		
14.202012			
14.102212			
14.103812			
14.203812			
14.104412			
14.204412			
14.104432			
14.104512			

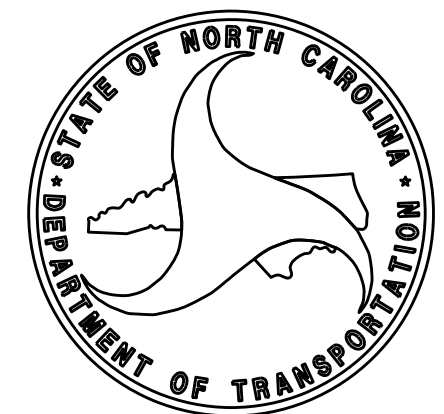


CONTRACT: DN12179560

Prepared in the Office of:
DIVISION OF HIGHWAYS
253 WEBSTER RD., SYLVA NC, 28779

2024 STANDARD SPECIFICATIONS

RIGHT OF WAY DATE: N/A	STEVEN BUCHANAN PROJECT ENGINEER
LETTING DATE: SEPTEMBER 9, 2025	JAMES HOLLINGSWORTH P.E. PROJECT DESIGN ENGINEER



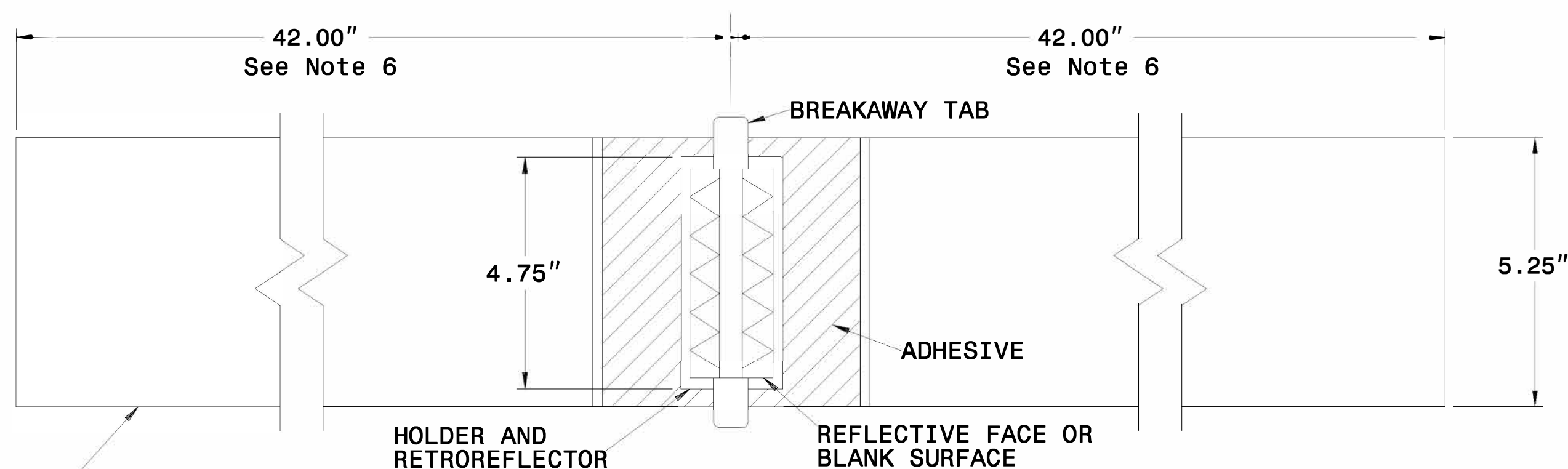
INDEX OF SHEETS

SHEET NUMBER	SHEET
1	TITLE SHEET
1A	INDEX OF SHEETS AND STANDARD DRAWINGS

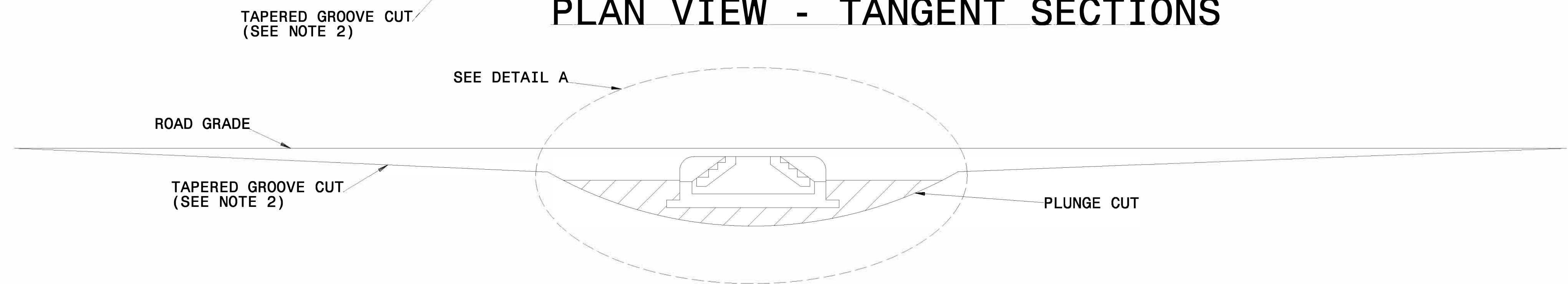
2024 ROADWAY ENGLISH STANDARD DRAWINGS

The following Roadway Standards as appear in "Roadway Standard Drawings" Highway Design Branch - N. C. Department of Transportation - Raleigh, N. C., Dated January, 2024 are applicable to this project and by reference hereby are considered a part of these plans:

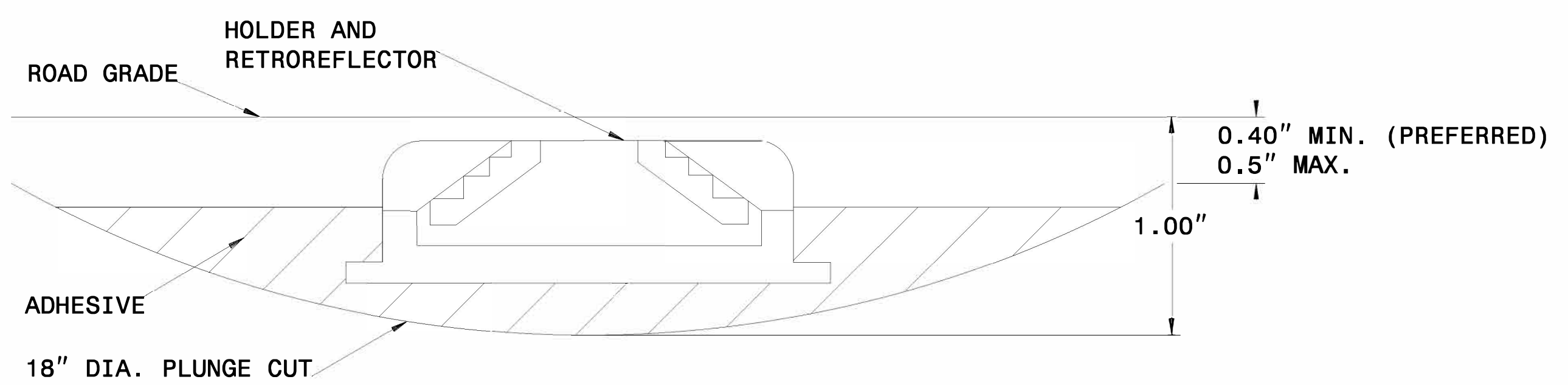
STD.NO.	TITLE
DIVISION 11 - WORK ZONE TRAFFIC CONTROL	
1101.01	WORK ZONE ADVANCE WARNING SIGNS
1101.02	TEMPORARY LANE CLOSURES
1101.03	TEMPORARY ROAD CLOSURES
1101.04	TEMPORARY SHOULDER CLOSURES
1101.05	WORK ZONE VEHICLE ACCESSES
1101.06	WARNING SIGNS FOR BLASTING ZONES
1101.11	TRAFFIC CONTROL DESIGN TABLES
1110.01	STATIONARY WORK ZONE SIGNS
1110.02	PORTABLE WORK ZONE SIGNS
1115.01	FLASHING ARROW BOARDS
1130.01	DRUMS
1135.01	CONES
1145.01	BARRICADES - TYPE III
1150.01	FLAGGERS
1160.01	TEMPORARY CRASH CUSHION - REFLECTIVE END TREATMENT
1165.01	TRUCK MOUNTED ATTENUATOR
1170.01	PORTABLE CONCRETE BARRIER
1180.01	SKINNY DRUMS



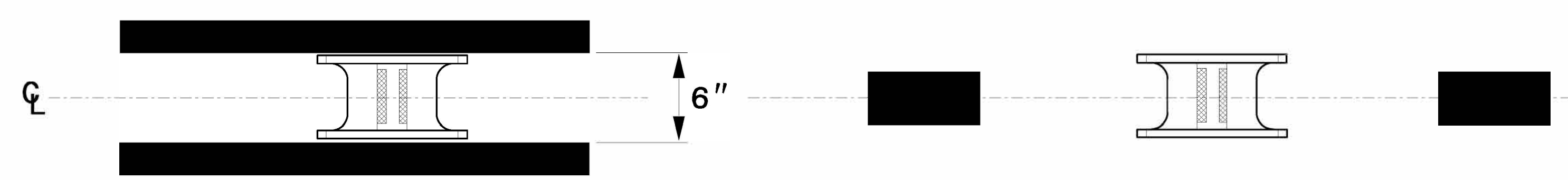
PLAN VIEW - TANGENT SECTIONS



PROFILE VIEW



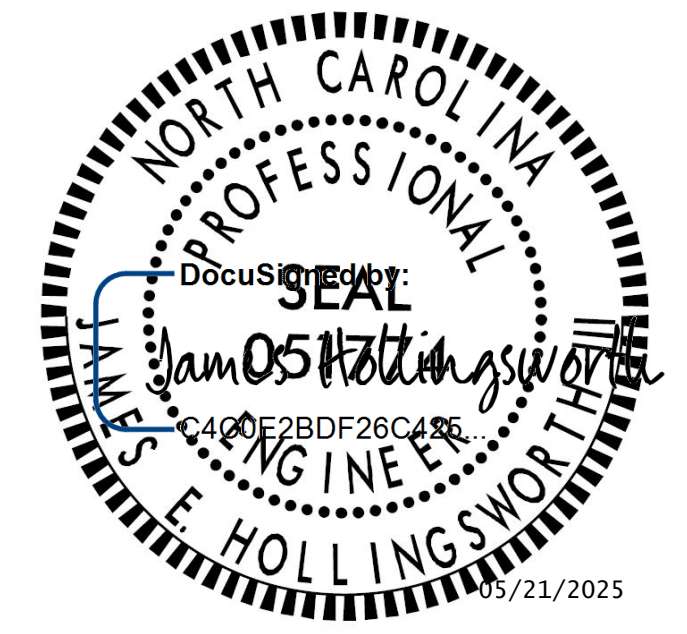
DETAIL A



MARKER SPACING

NOTES:

1. ALL GROOVE EDGES SHALL BE AT LEAST 2 INCHES FROM ANY SEAM OR PAVEMENT JOINT
2. GROOVE CUTS MAY BE TAPERED OR BEVELED. TAPERED CUTS SHALL START AT ROAD LEVEL ON EACH END AND TAPER AT A FIXED RATE AS SHOWN ON THE PROFILE VIEW. BEVELED GROOVE CUTS SHALL BE 0.5" MAXIMUM DEPTH (0.4" PREFERRED), AND SHALL BE 0.4" MINIMUM DEPTH AT BOTH ENDS OF THE PLUNGE CUT.
3. GROOVE AND PLUNGE CUT SHALL BE CLEAN AND DRY PRIOR TO PLACEMENT OF ADHESIVE.
4. THE EPOXY ADHESIVE SHALL BE THOROUGHLY MIXED UNTIL IT IS UNIFORM IN COLOR, AND APPLIED IN COLOR, AND APPLIED IN ACCORDANCE WITH THE MANUFACTURER'S INSTALLATION INSTRUCTIONS.
5. MARKER SHALL BE INSTALLED AS PER MANUFACTURER'S INSTALLATION INSTRUCTIONS WITH THE BREAKWAY TABS RESTING ON THE PAVEMENT SURFACE. THE EPOXY SHALL BE FILLED TO THE LEVEL OF THE TOP OF THE MARKER HOLDER. EPOXY SHALL NOT TOUCH THE RETROREFELCTOR.
6. TOTAL GROOVE LENGTH MAY BE SHORTENED TO 54" ON SHARP CURVES IF APPROVED BY THE ENGINEER. GROOVES SHALL NOT OVERLAP WITH LOOP DETECTOR WIRES.



CONTRACTS STANDARDS AND DEVELOPMENT UNIT
Office 919-707-8950 FAX 919-250-4119

DETAIL OF INLAID CRADLE MARKER

ORIGINAL BY: rgwatson DATE: 02-06-2024
 MODIFIED BY: _____ DATE: _____
 CHECKED BY: _____ DATE: _____
 FILE SPEC.: _____